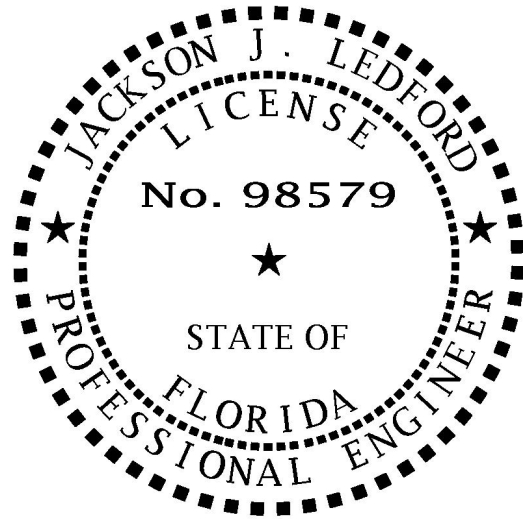


This item has been digitally signed and sealed by Jackson J. Ledford, P.E. on the date adjacent to the seal.

Printed copies of this document are not considered signed and sealed and the signature must be verified on any electronic copies.



PROPOSED POND
STRUCTURE DETAILS

PROJECT NO:

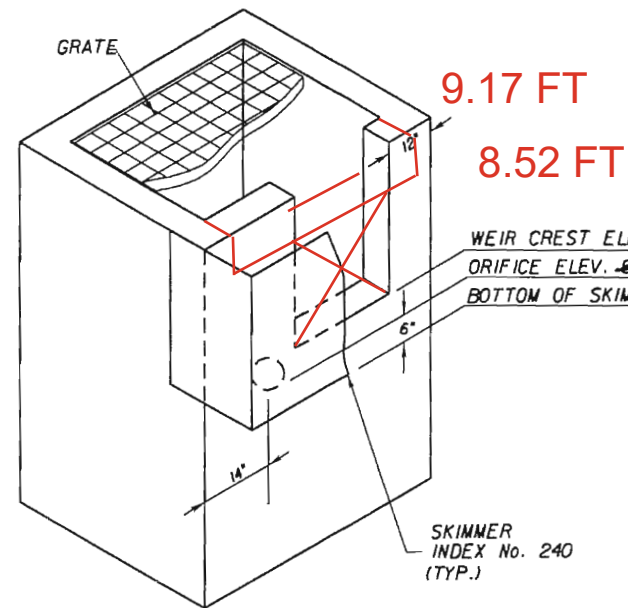
ENGINEER OF RECORD:
MARK P. THOMASSON, P.E.
P.E. NO.: 48287

TEL: 850-510-2226
NATIONAL STORMWATER TRUST, INC.
LICENSE NO.: 35163

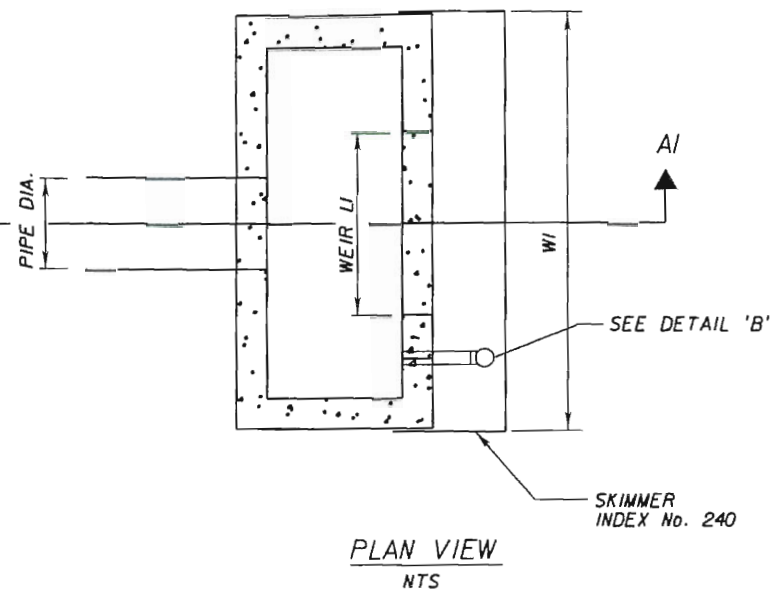
national stormwater trust

DRAWN:	JUL
CHECKED:	MPT
APPROVED:	MPT

OUTFALL STRUCTURE - POND NO. 9
SCALE: 1"=3'



ISOMETRIC VIEW
NTS

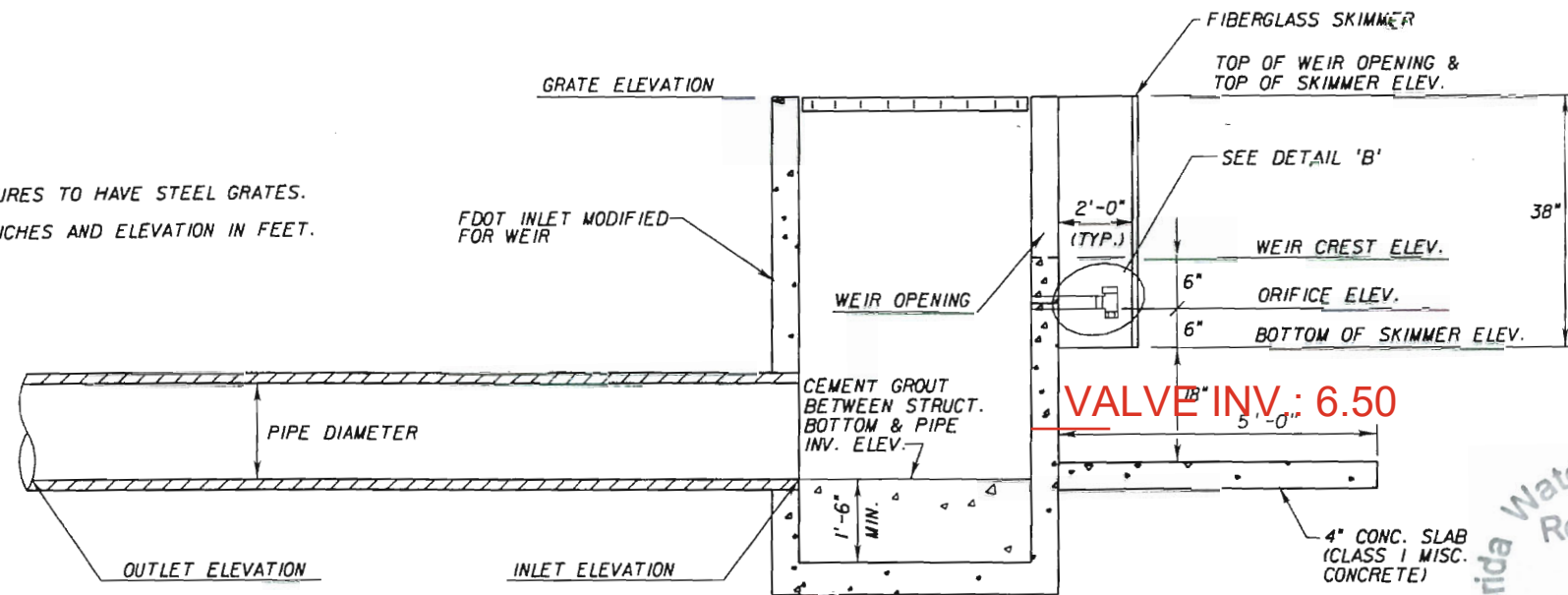


PLAN VIEW
NTS

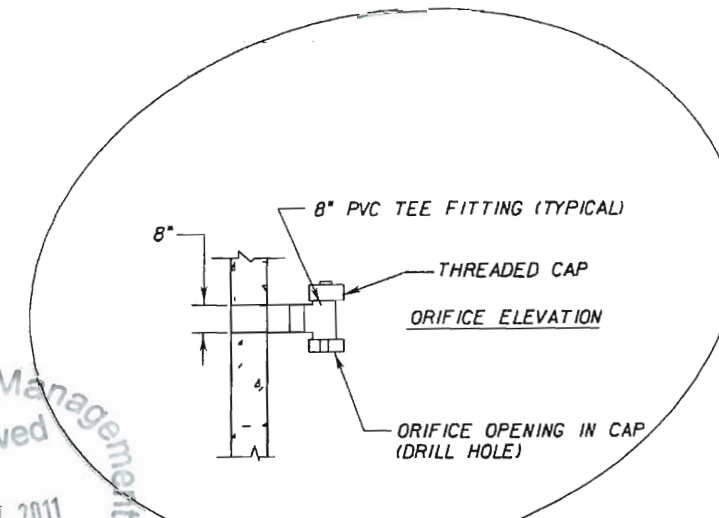
RECORD DRAWINGS
Caution
 DATE 6/30/2011 REVISION
 The above signature and seal is provided to document and incorporate changes made during construction. It does not imply review of, or responsibility for the original design. **DRAINAGE ONLY**

NOTES:

1. ALL MODIFIED INLET STRUCTURES TO HAVE STEEL GRATES.
2. DIMENSIONS SHOWN ARE IN INCHES AND ELEVATION IN FEET.



SECTION A1-A1 (TYP.)
NTS



ORIFICE DETAIL 'B'
NTS

POND NO.	INLET		STRUCTURE NO.	STRUCTURE TYPE	GRATE ELEV.	WEIR CREST ELEV.	ORIFICE ELEV.	WEIR		ORIFICE DIAMETER (IN)	TOP OF SKIMMER ELEV.	TOP OF WEIR ELEV.	BOTTOM OF SKIMMER ELEV.	SKIMMER WIDTH (IN)	CONC. SLAB ELEV.	INLET ELEV.	PIPE DIAMETER (IN)	OUTLET ELEV.
	STATION	OFFSET (LT/RT)						LI	WI									
9	506+00 Pond 9 @	90.00' (LT)	S-99	D (MOD)	9.17	7.00	6.30 6.50	20	2.5	9.17	9.17	6.00	61.00	4.50	4.50	24	4.30 4.35	

Florida Water Management District - Southwest
 Received
 AUG 24 2011
 Tampa RRD

NOTICE: THE OFFICIAL RECORD OF THIS SHEET IS THE ELECTRONIC FILE SIGNED AND SEALED UNDER RULE 6615-23.003, F.A.C.

REVISIONS DATE BY DESCRIPTION DATE BY DESCRIPTION				LOCHNER 13577 FEATHER SOUND DR. SUITE 600 CLEARWATER, FLORIDA 33762 FBPR CERTIFICATE OF AUTH. # 894 RICHARD E. SOWERS, JR., P.E. # 20085		STATE OF FLORIDA DEPARTMENT OF TRANSPORTATION ROAD NO. COUNTY FINANCIAL PROJECT ID SR 686 PINELLAS 256994-1-52-01			POND 9 STRUCTURE DETAIL SHEET		SHEET NO. 88
---	--	--	--	---	--	--	--	--	---	--	-----------------